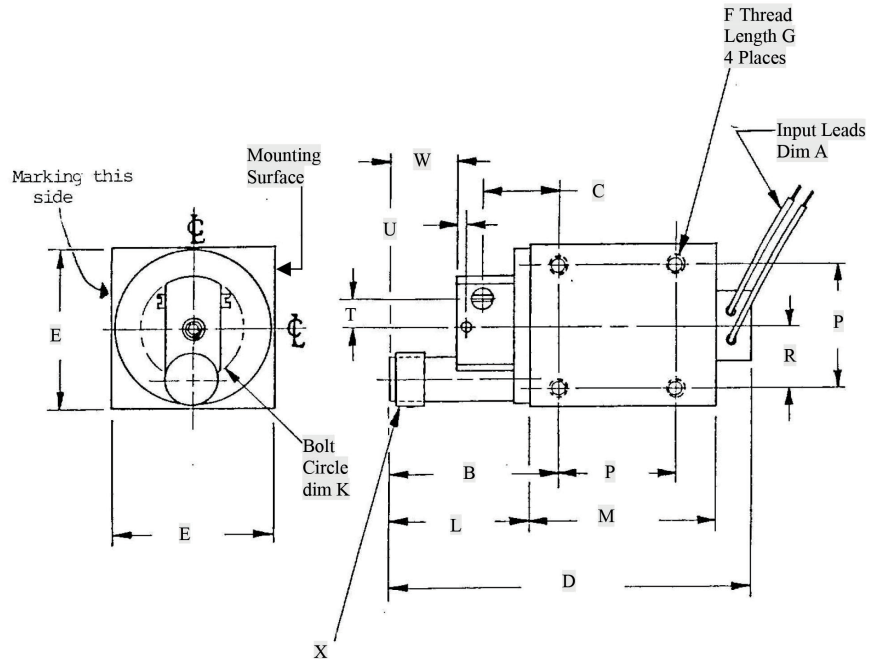


CPI Electron Device Business - Beacon Magnetron



With a history of producing high quality products, we can help your with magnetron.

Contact us at ElectronDevices@cpie-db.com or call us at +1 978-922-6000.

FEATURES:

- Frequency 9.2 – 9.5 GHz
- Peak power output 550 W
- Duty cycle .002
- Anode voltage 2.3 kV
- Anode current 1.3 amps
- Pulse width 1.0 microseconds
- Heater 5.0 volts @ .7 amps
- Conduction cooled
- Mechanically tunable

BENEFITS:

- Compact
- Lightweight

APPLICATIONS:

- For use in transponders



Beverly Microwave Division
 150 Sohier Road
 Beverly, Massachusetts
 USA 01915

tel +1 978-922-6000
 email ElectronDevices@cpie-db.com
 fax +1 978-922-8914
 web www.cpie-db.com

For more detailed information, please refer to the corresponding CPI EDB technical description if one has been published, or contact CPI EDB. Specifications may change without notice as a result of additional data or product refinement. Please contact CPI EDB before using this information for system design.

©2024 CPI Electron Device Business. Company proprietary; use and reproduction is strictly prohibited without written authorization from CPI EDB.